

Data Sheet

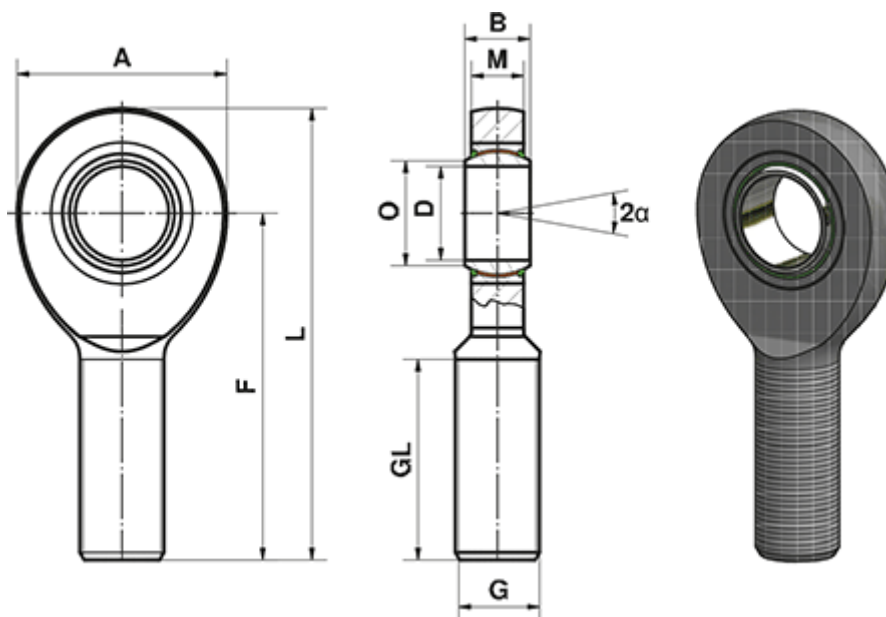


Article number: 03493017

Description: Fluro Heavy Duty Rod end EAL 17 EW-2RS
M16 Male thread

Note: 17

Measures



A	= 46	L	= 92
a (degrees)	= 10	M	= 10
B	= 14	O	= 20.7
D	= 17	Static load C0 (kN)	= 54
Dynamic load C (kN)	= 48.7	Weight (g)	= 190
F	= 69		
G	= M16		
GL	= 36		